

Part number:



# 101 SERIES ISO-A

Manufactured according ISO 7241-A norm, DN13 size meets also ISO 5675 requirements.  
Poppet Valve or Ball closing system.  
BSP, NPTF, SAE/ORB threads. Others available upon request.

• **Materials**

Body: Carbon Steel EN -10277-3  
Seals: NBR , Viton or EPDM  
Back-Up-Ring: PTFE  
Balls: AISI 1010/1015  
Springs: Carbon Steel  
DIN 17233/84(B)

• **Working temperature (Seals)**

	NBR	Viton	EPDM
	+100°C	+200°C	+150°C
	-30°C	-10°C	-40°C

• **Applications:** Designed for Oil hydraulic Applications according to European Directive 97.23.EC

• **Sectors:** Industrial, Agricultural



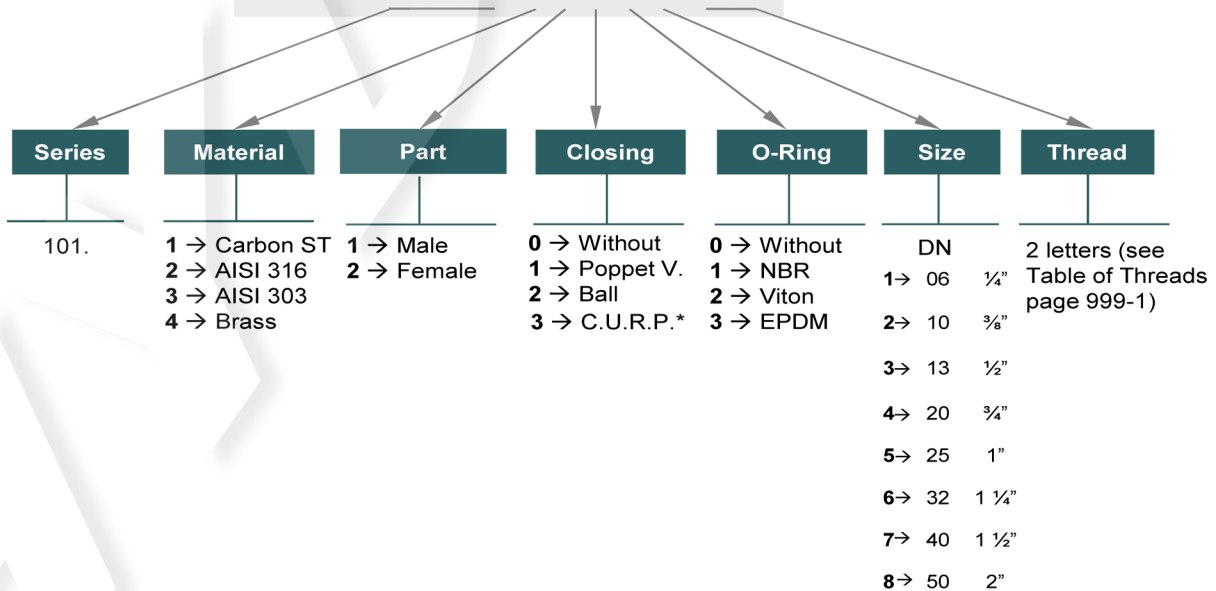
• **Equivalence**

FASTER ANV  
AEROQUIP FD56  
PARKER 6600  
SNAP-TITE 61

## MODEL STRUCTURE

Example:

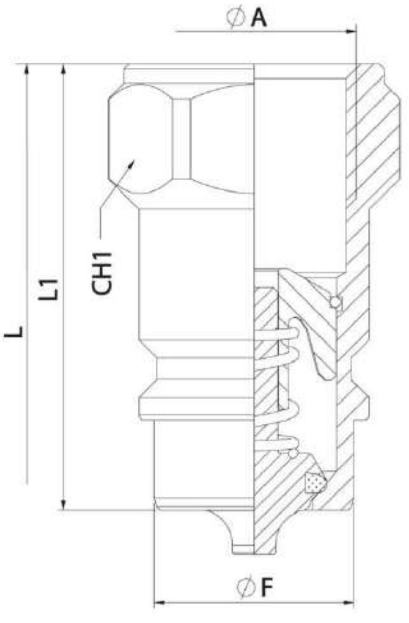
**101.11112 AC**



\* DN13 available only.



# 101 SERIES ISO-A

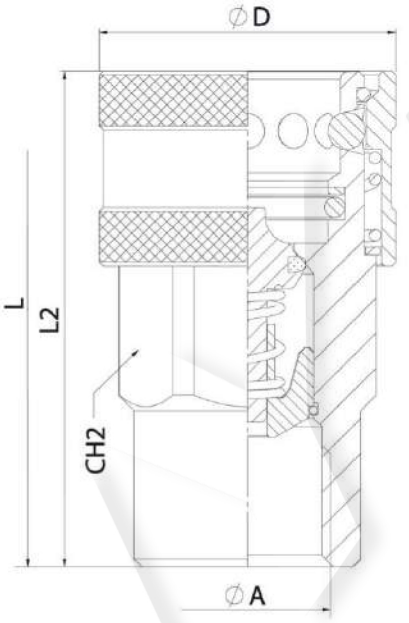


MALE				
DN	CH1	L1	ØF	L
06	19	38	11,80	76
10	22	40,50	17,25	81
13	27 30	46	20,56	87,50
20	36	56	29	112
25	41	63	34,30	126
32	50	75	44,95	150
40	60	83,5	55	167
50	75	105	65,10	210

Manufactured according to ISO 7241-A norm, DN13 size meets as well ISO 5675 requirements.

L= length while quick coupling is connected.

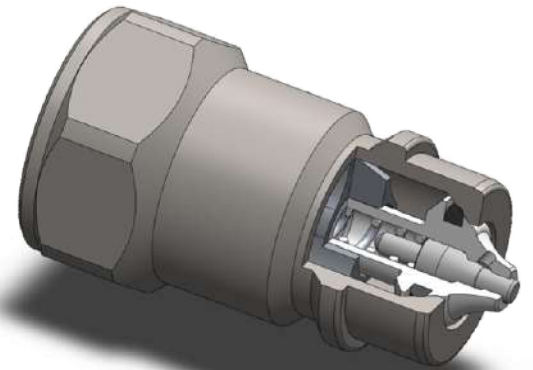
STANDARD MODELS				
DN	ØA	MALE	FEMALE	
06	1/4" BSP	101.11111AB	101.12111AB	350Bar
	1/4" NPTF	101.11111BB	101.12111BB	
10	3/8" BSP	101.11112AC	101.12112AC	300Bar
	3/8" NPTF	101.11112BC	101.12112BC	
	3/8" BSPT	101.11112DC	101.12112DC	
	9/16" 18ORB	101.11112GC	101.12112GC	
13	1/2" BSP	101.11113AD	101.12113AD	300Bar
	1/2" NPTF	101.11113BD	101.12113BD	
	M22x1,5	101.11113NG	101.12113NG	
	3/4" - 16ORB	101.11113GF	101.12113GF	
20	7/8" 14ORB	101.11113GH	101.12113GH	250Bar
	3/4" BSP	101.11114AE	101.12114AE	
	3/4" NPTF	101.11114BE	101.12114BE	
25	1 1/16"-12ORB	101.11114GK	101.12114GK	230Bar
	1" BSP	101.11115AF	101.12115AF	
	1" NPTF	101.11115BF	101.12115BF	
32	1 5/16"-12ORB	101.11115GO	101.12115GO	230Bar
	1 1/4" BSP	101.11116AG	101.12116AG	
	1 1/4" NPTF	101.11116BG	101.12116BG	
40	1 1/2" BSP	101.11117AH	101.12117AH	200Bar
	1 1/2" NPTF	101.11117BH	101.12117BH	
50	2" BSP	101.11118AI	101.12118AI	130Bar
	2" NPTF	101.11118BI	101.12118BI	



FEMALE				
DN	CH2	L2	ØD	L
06	19	52	26	76
10	24	58,50	32	81
13	30	63,50	38	87,50
20	38	83,50	46	112
25	46	97	55	126
32	50	117	70	150
40	60	133	84,50	167
50	75	165	100	210

Manufactured according to ISO 7241-A norm, DN13 size meets as well ISO 5675 requirements

L= length while quick coupling is connected.



C.U.R.P. connection is available in DN13  
Up to 300 Bar.



# 101 SERIES ISO-A

TECHNICAL DATA					
DN	Rated Flow	Min Burst Pressure (Bar)			Working Pressure
		Male	Female	Connected	
06	15 l/min	1650	1800	1400	350
10	35 l/min	1250	1350	1200	300
13	45 l/min	1200	1300	1200	300
20	74 l/min	1030	1200	1000	250
25	100 l/min	950	980	920	230
32	118 l/min	800	950	920	230
40	410 l/min	750	850	800	200
50	860 l/min	620	650	520	130

